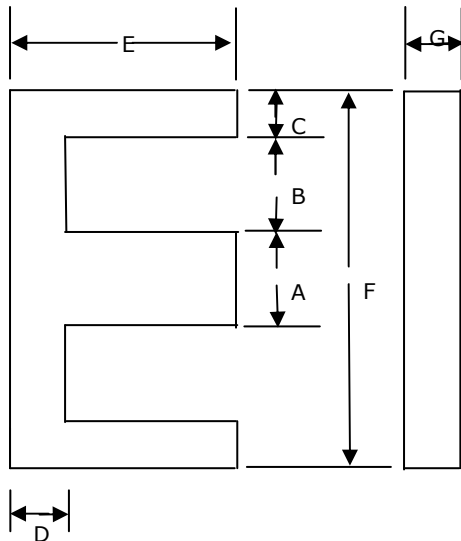


## Laminations

### E & I Laminations

#### General

OBA stock a range of transformer laminations , commonly known as E & I that are manufactured from "Lycore® 150".



#### Lycore 150

Resistivity ( $\mu\Omega\text{m}$ )	0.40
Assumed Density ( $\text{kg}/\text{M}^3$ )	7650
Max Coil Core Loss	W/kg, 50Hz
1.0 T	1.50
1.5 T	3.60

Product	Dimensional detail (mm)							Proportions (E : I)(%)	Area (mm <sup>2</sup> )	Length Flux Path (mm)	Window Area (mm <sup>2</sup> )	OBA Stock
	A	B	C	D	E	F	G					
720083	17.46	8.73	8.73	8.73	34.93	52.39	8.73	75/25	304.9	104.8	228.7	Indent
720084	14.28	7.14	7.14	7.14	28.58	42.86	7.14	75/25	203.9	85.7	153.1	Yes
720150	31.75	15.88	15.88	15.88	63.50	95.25	15.88	75.5/24.5	1008.1	190.5	756.2	Yes
720184	22.22	11.11	11.11	11.11	44.45	66.67	11.11	75/25	493.7	133.3	370.4	Yes
720186	25.4	12.70	12.70	12.70	50.80	75.20	12.70	75/25	645.2	152.4	483.9	Yes
720188	57.15	28.57	28.57	28.57	114.30	171.45	28.57	75.3/24.7	3266.1	342.9	2449.3	Yes
720191	50.8	25.40	25.40	25.40	101.60	152.40	25.40	75.3/24.7	2580.6	304.8	1935.5	Yes
720192	34.93	17.46	17.46	17.46	69.85	104.78	17.46	75.6/24.4	1220.1	209.6	914.7	Indent
720194	28.58	14.29	14.29	14.29	57.15	85.73	14.29	75.5/24.5	816.8	171.5	612.5	Indent
720199	76.20	38.10	38.10	38.10	152.40	228.60	38.10	75.3/24.7	5806.4	457.2	4354.8	Yes
720201	44.45	22.23	22.23	22.23	88.9	133.36	22.23	75.3/24.7	1975.8	266.7	1482	Yes
720202	38.1	19.05	19.05	19.05	76.20	114.30	19.05	75.4/24.6	1451.6	228.6	1088.7	Yes
720203	31.75	19.05	15.88	19.05	69.85	101.60	19.05	73/27	1008.1	209.6	967.7	Yes
720206	12.70	6.35	6.35	6.35	25.40	38.10	6.35	75/25	161.3	76.2	121.0	Indent
720209	9.65	7.78	4.83	4.83	23.88	35.05	4.83	76.1/23.9	93.1	73.2	149.9	Indent
720210	11.18	6.85	4.83	6.85	24.13	34.54	6.85	71.6/28.4	125.0	72.4	118.4	Indent
720213	30.96	19.05	16.27	19.05	69.85	101.60	19.05	73.2/26.8	958.5	209.6	968.0	Indent
720216	15.88	7.93	7.93	7.93	31.76	47.62	7.93	75/25	252.2	95.3	189.0	Indent
720234	88.9	88.90	88.90	88.9	311.15	444.5	88.90	71.5/28.5	7903.2	533.4	11854.8	Indent
720243	64.00	32.00	32.00	32.00	128.00	192.00	32.00	75.2/24.8	4096.0	384.0	3072.0	Indent